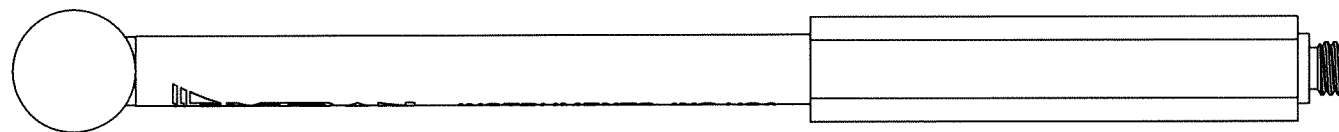


PROPRIETARY AND CONFIDENTIAL

THE INFORMATION CONTAINED IN THIS DRAWING IS THE SOLE PROPERTY OF DYTRAN INSTRUMENTS INC. ANY REPRODUCTION IN PART OR AS A WHOLE WITHOUT THE WRITTEN PERMISSION OF DYTRAN INSTRUMENTS INC. IS PROHIBITED

REVISIONS

| REV. | ECN | DESCRIPTION | BY/DATE | CHK | APPR |
|------|-------|------------------------------------|--------------|-----|-------------|
| A | 14155 | REDRAWN ON SOLIDWORKS WITH CHANGES | RA, 04/13/18 | MH | [Signature] |



MODEL 6278 HEAD EXTENDER, BRASS, SUPPLIED

HANDLE

10-32 CONNECTOR, JACK $\triangle 2$

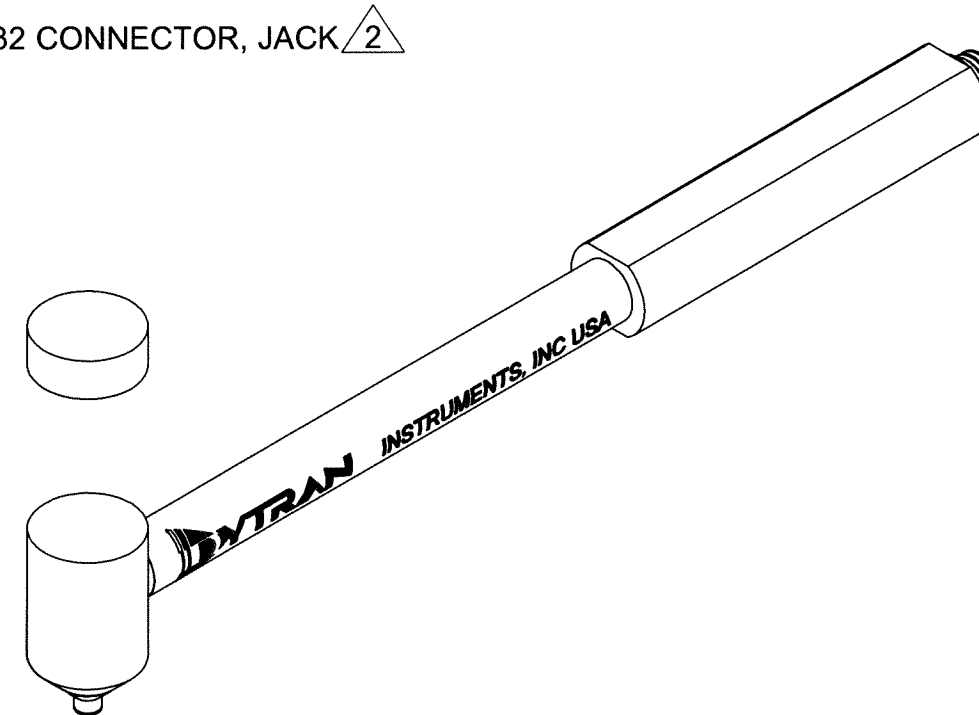
$(\phi .44)$
[11.10]

.79
[20.04]

$(\phi .10)$
[2.54]

FORCE SENSOR IMPACT TIP

4.79
[121.72]



5. MAXIMUM FORCE lbf(kN): 200 (0.9)

4. SENSITIVITY mV/blf(mV/N): 100 (23)

3. FULL SCALE RANGE lbf(kN): 50 (0.22)

$\triangle 2$ MATES WITH 6011AXX CABLE.

1. WEIGHT OUNCES (GRAMS): 0.34 (9.8)

NOTES: UNLESS OTHERWISE SPECIFIED

| | | | | | |
|---|--|----------------------------|---|--------------|----------------------------|
| UNLESS OTHERWISE SPECIFIED: INTERPRET DIM & TOL PER ASME Y14.5M - 1994. REMOVE BURRS. COUNTERSINK INTERNAL THDS 90° TO MAJOR DIA. CHAM EXT THDS 45° TO MINOR DIA. THD LENGTHS AND DEPTHS ARE FOR MIN FULL THDS. DIMENSIONS APPLY AFTER FINISHING. ALL MACHINED SURFACES $\sqrt{63}$ TOTAL RUNOUT WITHIN .005. BREAK SHARP EDGES .005 TO .010. MACHINED FILLET RADII .005 TO .015. WELDING SYMBOLS PER AWS A2.4. ABBREVIATIONS PER MIL-STD-12. | UNLESS OTHERWISE SPECIFIED: DIMENSIONS ARE IN INCHES. DIMENSIONS IN BRACKETS [] ARE IN MILLIMETERS TOLERANCES ARE: DECIMALS METRIC ANGLES .XX ±.01 .X ± 0.8 ±1° .XXX ±.005 .XX ±0.25 | | | | |
| | APPROVALS DATE ORIG NC 06/18/82 CHK RA 06/18/98 APP EP 12/18/12 | | TITLE: OUTLINE/INSTALLATION DRAWING, MODEL 5800SL IMPULSE HAMMER | | |
| | DO NOT SCALE DRAWING | THIRD ANGLE PROJECTION | SIZE B CAGE CODE 2W033 DWG NO 127-5800SL | REV A | SCALE: 1:1 SHEET 1 OF 1 |

| | | | | |
|------------------------|----------------------------------|--|--|----------------------------|
| Model Number 5800SL | PERFORMANCE SPECIFICATION | | | Doc No PS5800SL |
| | DYNAPULSE™ IMPULSE HAMMERS | | | REV B, ECN 13813, 10/31/17 |



- IMPULSE HAMMERS
- EXCELLENT LINEARITY

PHYSICAL

| | | | | | |
|-----------------|---------------|-----------------|----|-------------|-------|
| Weight | Micro | 0.34 | oz | 9.8 | grams |
| Connector | Mode | 10-32 | | 10-32 | |
| Sensing Element | | Compression | | Compression | |
| Impact Tip | Material | 300 Series S.S. | | | |
| | Hardness, Nom | 44-45 | Rc | 44-45 | Rc |
| | Diameter | 0.1 | In | 2.54000508 | mm |

| ENGLISH | | SI | |
|-----------------|-----------------|-------------|-------|
| Weight | 0.34 oz | 9.8 | grams |
| Connector | 10-32 | 10-32 | |
| Sensing Element | Compression | Compression | |
| Impact Tip | 300 Series S.S. | | |
| | 44-45 Rc | 44-45 | Rc |
| | 0.1 In | 2.54000508 | mm |

PERFORMANCE

| | | | | |
|-------------------------|-------------|--------------|------------|--------------|
| Sensitivity, ± 10 % | 100 | mV/LbF | 22.5 | mV/N |
| Range | 50 | Lbs. Force | 0.2 | kN |
| Maximum Force | 200 | Lbs. Force | 0.9 | kN |
| Linearity | ± 1 | % Full Scale | ± 1 | % Full Scale |
| Resonant Frequency, Nom | 300 | kHz | 300 | kHz |
| Stiffness | 1.5 | Lb/μin | 0.26 | kN/μm |
| Operating Temperature | -40 to +150 | °F | -40 to +66 | °C |

ELECTRICAL

| | | | | |
|------------------------------|------------|-----|------------|-----|
| Output Voltage F.S | ±5 | V | ±5 | V |
| Output Impedance, Max | 100 | Ω | 100 | Ω |
| Compliance Voltage Range [1] | +18 to +30 | VDC | +18 to +30 | VDC |
| Supply Current Range [1] | 2 to 20 | mA | 2 to 20 | mA |
| Discharge Time Constant, Nom | 3 | Sec | 3 | Sec |

This family also includes:

| Model | Sensitivity (mV/Lb) | Range(Lbs. Force) | Max.Force (Lbs. Force) | Oper. Temp(°F) |
|-------|---------------------|-------------------|------------------------|----------------|
| | | | | |
| | | | | |
| | | | | |

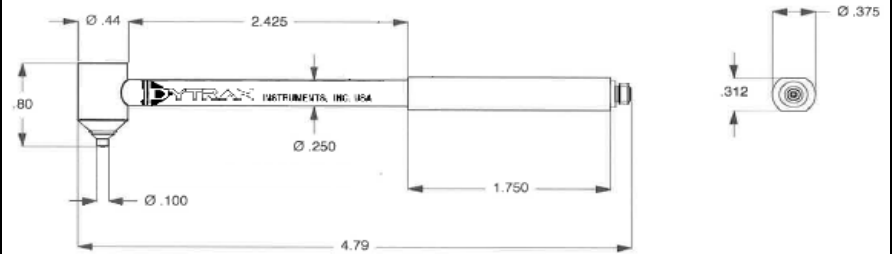
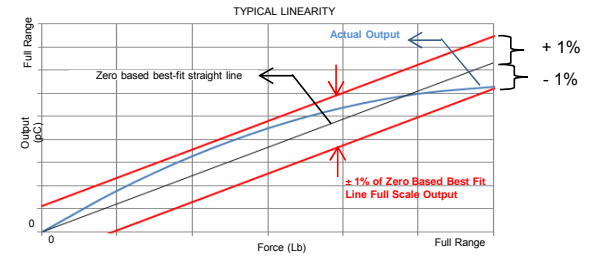
Please, refer to the performance specifications of the products in this family for detailed description

Supplied Accessories:

- 1) Accredited calibration certificate (ISO 17025)
- 2) Model 6278 head extender. Weight - 3.5 Grams. Material - brass.

Notes:

- [1] Current must be supplied by constant current type power sources such as Dytran LIVM power units. Do not supply power to the hammer from a DC power supply without current limiting as specified here. To do so will immediately destroy the built-in IC amplifier.



Units on the line drawing are in inches, units in brackets are in millimeters. Refer to 127-5800BT for more information.



21592 Marilla Street, Chatsworth, California 91311 Phone: 818.700.7818 Fax:818.700.7880 www.dytran.com
 For permission to reprint this content, please contact info@dytran.com